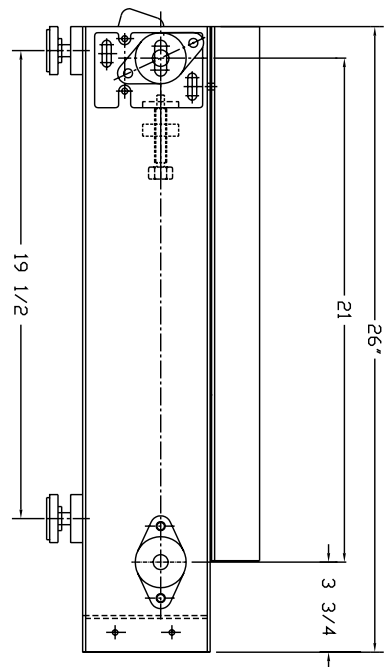
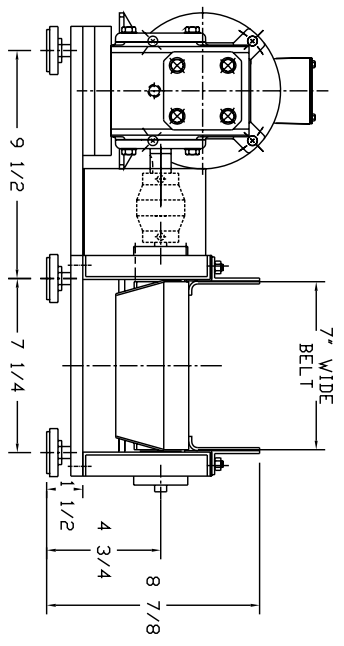
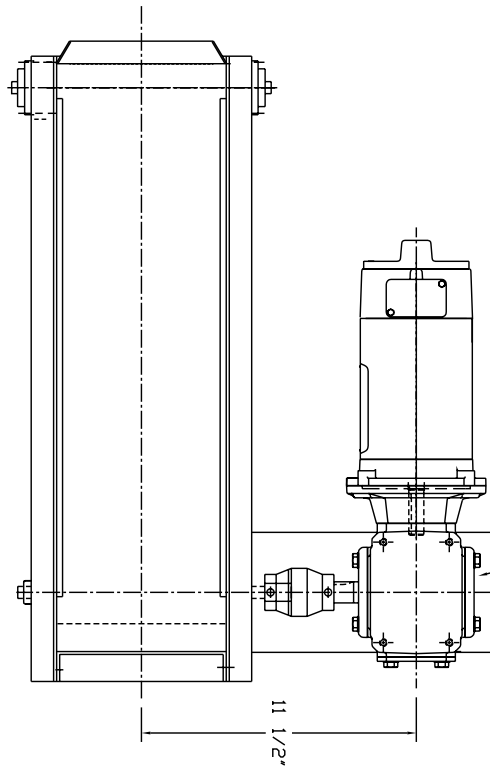


SPEED REDUCER
SEE NOTE # 3



- NOTES:
- 1 - CONTACT MATERIAL TO BE CARBON STEEL.
 - 2 - D.C. MOTOR: 1/3 HP, 90 VA, 56 C FRAME 3/60.
 - 3 - SPEED REDUCER: OHIO GEAR, MODEL 2175, 30:1 RATIO.
 - 4 - ALL CONNECTION TO MOTOR MUST BE FLEXIBLE.
 - 5 - ALL CONNECTION TO BELT FEEDER MUST BE FLEXIBLE.

REV.	DESCRIPTION	DATE	CHK. BY	DATE	APP. BY	DATE
1	RELEASED FOR STANDARD					

DO NOT SCALE PRINT	
UNLESS OTHERWISE SPECIFIED DIMENSIONS ARE IN INCHES	
TOLERANCES:	.XX = ±.01
	.XX = ±.005
	FRAC. ANGULAR = ±1/32"
	ANGULAR = ±1/2"
BREAK SHARP EDGES .005-.015	
ALL SMALL FILLETS .020-.040R	
ALL FINISHES UNLESS OTHERWISE SPECIFIED	
INCHES	

SCALE	1/4"=1"
CAD FILE NAME	FEEDER.BEL.FEEDER.18075
DWG. NO.	BF-18075
REV. NO.	1

Vibra Screw Incorporated
1010 W. Main St.
Troy, N.Y. 12182

7" BELT FEEDER
MODEL BF-70

THE RECIPIENT OF THIS DOCUMENT AGREES NOT TO REPRODUCE, DISTRIBUTE, OR DISSEMINATE THE INFORMATION CONTAINED HEREIN WITHOUT THE WRITTEN PERMISSION OF VIBRA SCREW INCORPORATED.