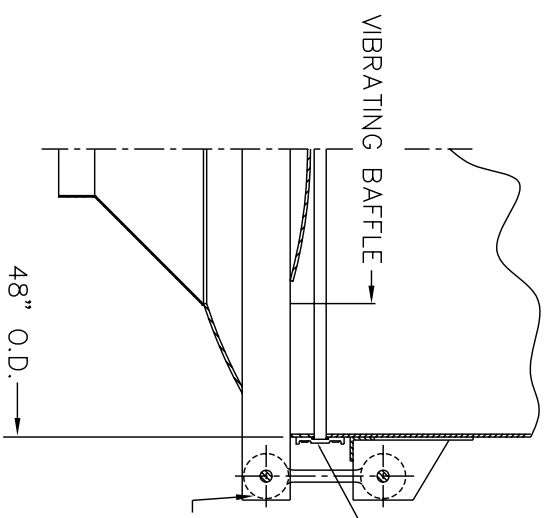
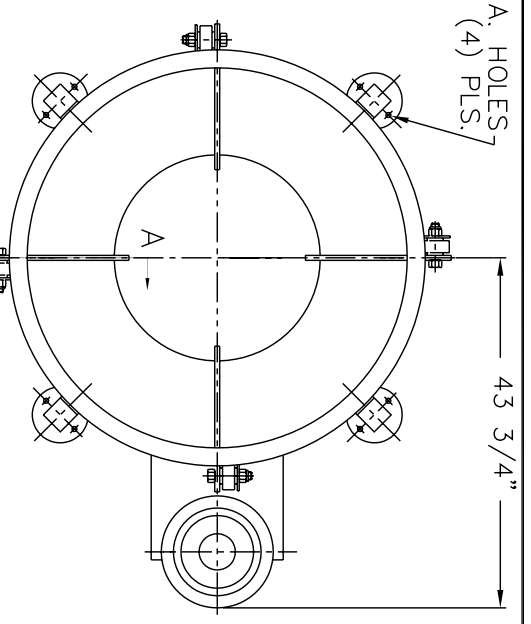
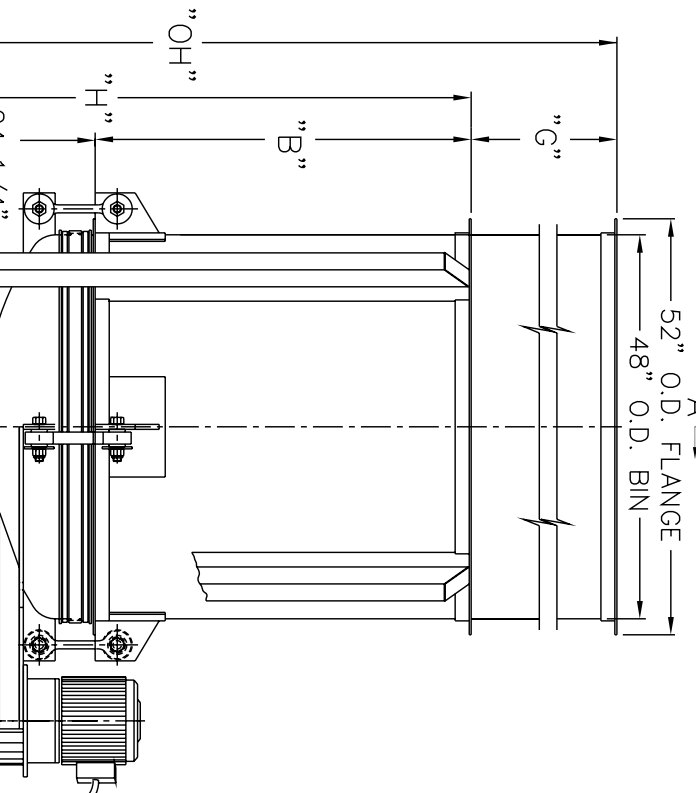


(2) 5/8" DIA. HOLES  
TYP. (4) PLS.



SECTION A-A

- NOTES:
- 1 - CONTACT MATERIAL : CARBON STEEL, 304 STAINLESS STEEL OR 316 STAINLESS STEEL.
  - 2 - GYRATOR MOTOR TO BE 2 HP, 1750 RPM, TEFC 230 OR 460/3/60.
  - 3 - ALL ELECTRICAL CONNECTIONS TO BE FLEXIBLE.
  - 4 - ALL CONNECTIONS TO LIVE BOTTOM BIN TO BE FLEXIBLE.



NEOPRENE COVERED  
CABLE (SO 14/4)  
APPROX. 6 FT. LG.

3K GYRATOR  
ASSEMBLY  
SEE NOTE  
2 & 3

MODEL NO.	CAPACITY CU.FT.	"B"	"H"	"G"	"OH"
LBB 4-50	50	42"	88 1/4"	—	88 1/4"
LBB 4-75	75	47"	93 1/4"	19"	112 1/4"
LBB 4-100	100	47"	93 1/4"	40"	133 1/4"

DO NOT SCALE PRINT  
UNLESS OTHERWISE SPECIFIED  
DIMENSIONS ARE IN INCHES  
TOLERANCES:  
.XX = ±.01  
.XXX = ±.005  
FRACTIONAL = ±1/32"  
BREAK SHARP EDGES .005-.015  
ALL SMALL FILETS .020-.040R

**Vibra Screw Incorporated**  
755 Union Blvd. Tolowa, N.J. 07152-2207

THE RECIPIENT OF THIS DOCUMENT AGREES NOT TO REPRODUCE, DISTRIBUTE, OR DISSEMINATE THE INFORMATION CONTAINED HEREIN IN ANY MANNER WITHOUT THE WRITTEN PERMISSION OF VIBRA SCREW INCORPORATED.

REV.	DESCRIPTION	DATE	CHK. BY	DATE	APP. BY	DATE	ELEC. APP.	DATE
1	WEBSITE DRAWING	6/30/01						

SCALE 1=12  
CAD FILE NAME LBB /STDSVY/77989-SD\_4-50\_100\_3K

TITLE 4 - 50 TO 100 LIVE BOTTOM BIN CENTER FLAT STOCK CROSSMEMBER AND 3K GYRATOR

DMC NO. 17989-SD  
REV. NO. 1