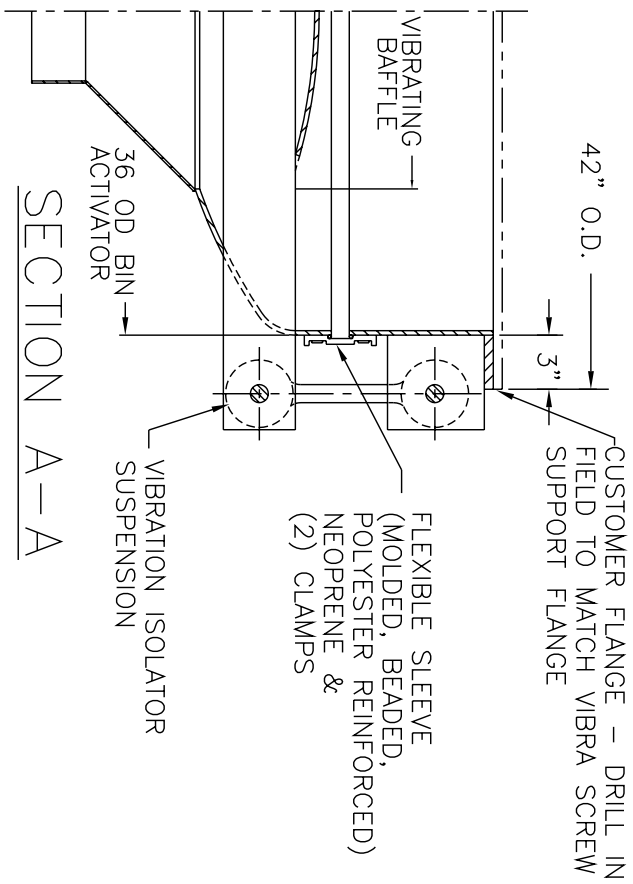


(16) 1 1/16 DIA HOLES -  
EQ.SP. ON 39 BC

36 3/8

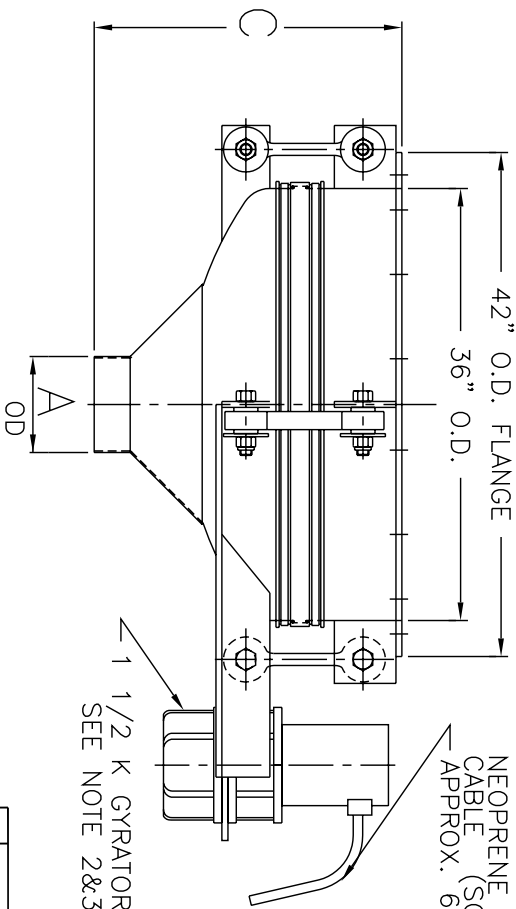


SECTION A-A

NOTES -

- 1 - CONTACT MATERIAL - CARBON STEEL, 304 SS, 316 SS
- 2 - GYRATOR MOTOR - 1 HP, TENV, 230 OR 460/3/60
- 3 - ALL ELECTRICAL CONNECTIONS TO BE FLEXIBLE
- 4 - ALL CONNECTIONS TO BIN ACTIVATOR MUST BE FLEXIBLE

NEOPRENE COVERED  
CABLE (50 14/4)  
APPROX. 6'-0" LG.



1 1/2 K GYRATOR  
SEE NOTE 2&3

DASH No.	A OD	C
-1	8 OD	25 1/2
-2	10 OD	24 1/2
-3	12 OD	23 1/2

DO NOT SCALE PRINT  
UNLESS OTHERWISE SPECIFIED  
DIMENSIONS ARE IN INCHES

THE RECIPIENT OF THIS DOCUMENT AGREES NOT TO REPRODUCE, IN ANY MANNER, THIS DOCUMENT IN WHOLE OR IN PART, FOR ANY PURPOSE, EXCEPT WITH THE WRITTEN PERMISSION OF VIBRA SCREW INCORPORATED.

**Vibra Screw Incorporated**  
755 Union Blvd. Totowa, N.J. 07810-2007

TITLE  
3'-0" DIA. BIN ACTIVATOR  
CENTER FLAT STOCK CROSS MEMBER  
AND 1 1/2 K GYRATOR

REV.	DESCRIPTION	DATE	BY	APP.	DATE	BY	APP.	DATE	BY	APP.
0	RELEASED FOR REFERENCE ONLY	8/23/01	DMK							

SCALE 1/8" = 1"  
DWG. NO. 17983-SD  
REV. NO. 0