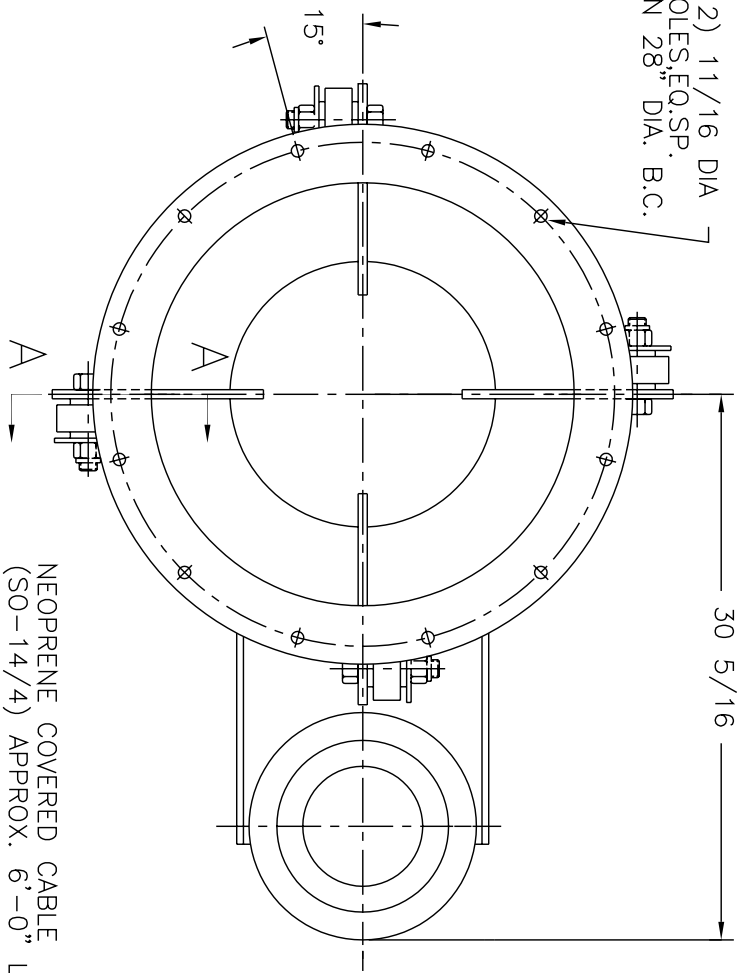
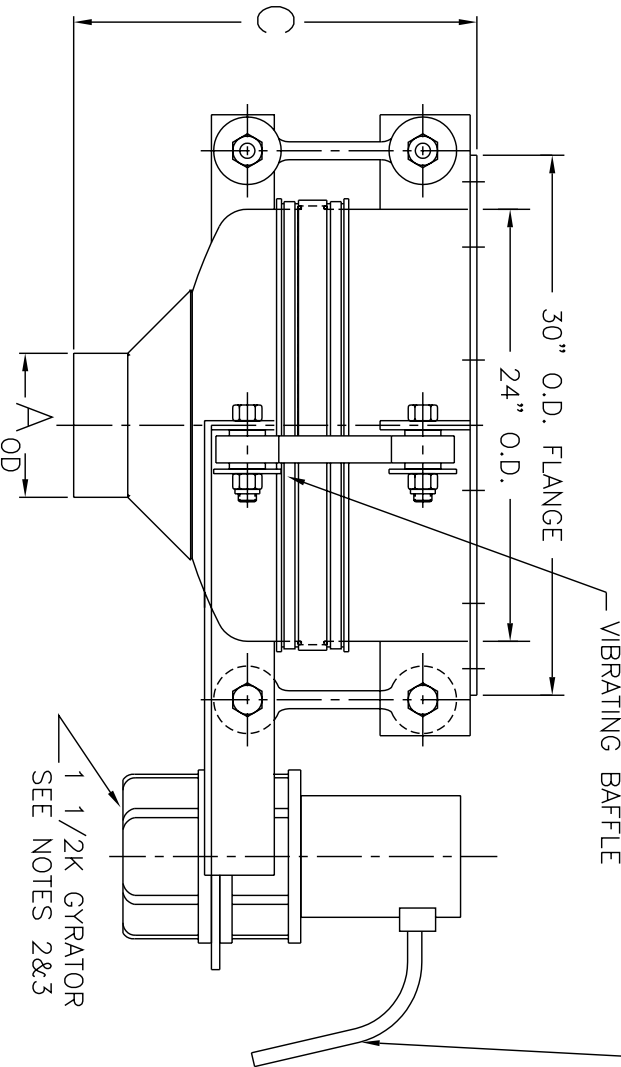


(12) 11/16 DIA HOLES, EQ.SP. ON 28" DIA. B.C.

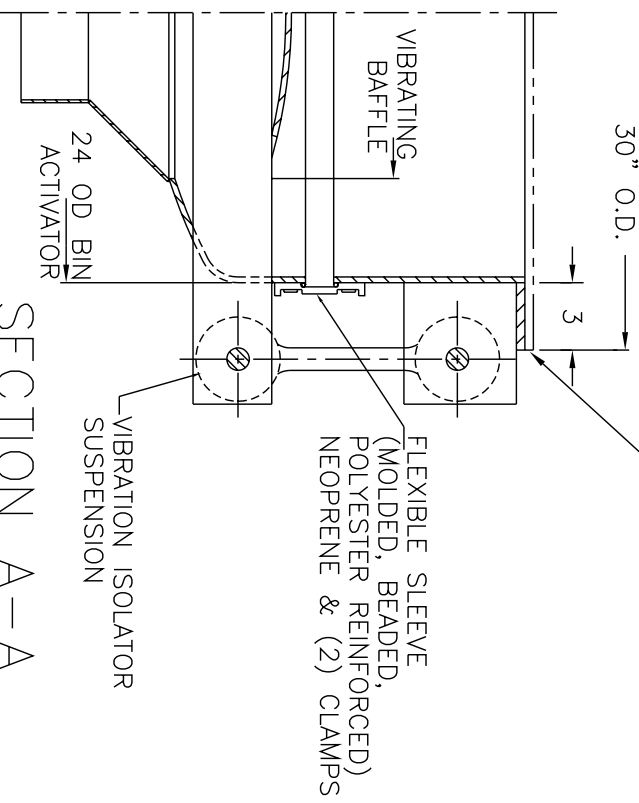


NEOPRENE COVERED CABLE (SO-14/4) APPROX. 6'-0" LG.



1 1/2 K GYRATOR SEE NOTES 2&3

CUSTOMER FLANGE - DRILL IN FIELD TO MATCH VIBRA SCREW SUPPORT FLANGE



SECTION A-A

- NOTES -
- 1 - CONTACT MATERIAL - CARBON STEEL, 304 SS, 316 SS
 - 2 - GYRATOR MOTOR - 1750 RPM, 1 HP, TENV. 230 - 460/3/60
 - 3 - ALL ELECTRICAL CONNECTIONS TO BE FLEXIBLE
 - 4 - ALL CONNECTIONS TO BIN ACTIVATOR MUST BE FLEXIBLE

DASH No.	A OD	C
-1	8 OD	22 3/8
-2	10 OD	21 3/8
-3	12 OD	20 3/8

DO NOT SCALE PRINT
UNLESS OTHERWISE SPECIFIED
DIMENSIONS ARE IN INCHES

TOLERANCES:
XX = ±.01
XXX = ±.005
FRACTIONAL = ±1/32"
ANGULAR = ±1/2"
BREAK SHARP EDGES .005-.040R
ALL SMALL FILETS .020-.040R
MICRO INCHES

Vibra Screw Incorporated
755 Union Blvd. Tolono, N.J. 07312-2207

TITLE: 2'-0" DIA. BIN ACTIVATOR CENTER FLAT STOCK CROSS MEMBER AND 1 1/2 K GYRATOR
SCALE: 3/16" = 1"
Dwg. No. 17982-SD
REV. NO. 0

REV.	DESCRIPTION	DATE	CHK. BY	DATE	APP. BY	DATE	ELC. APP. DATE
0	RELEASED FOR REFERENCE ONLY	8/23/01					

THE RECIPIENT OF THIS DOCUMENT AGREES NOT TO REPRODUCE, DISSEMINATE OR USE THIS DOCUMENT AND/OR THE INFORMATION CONTAINED HEREIN FOR ANY PURPOSE, EXCEPT WITH THE WRITTEN PERMISSION OF Vibra Screw Incorporated.