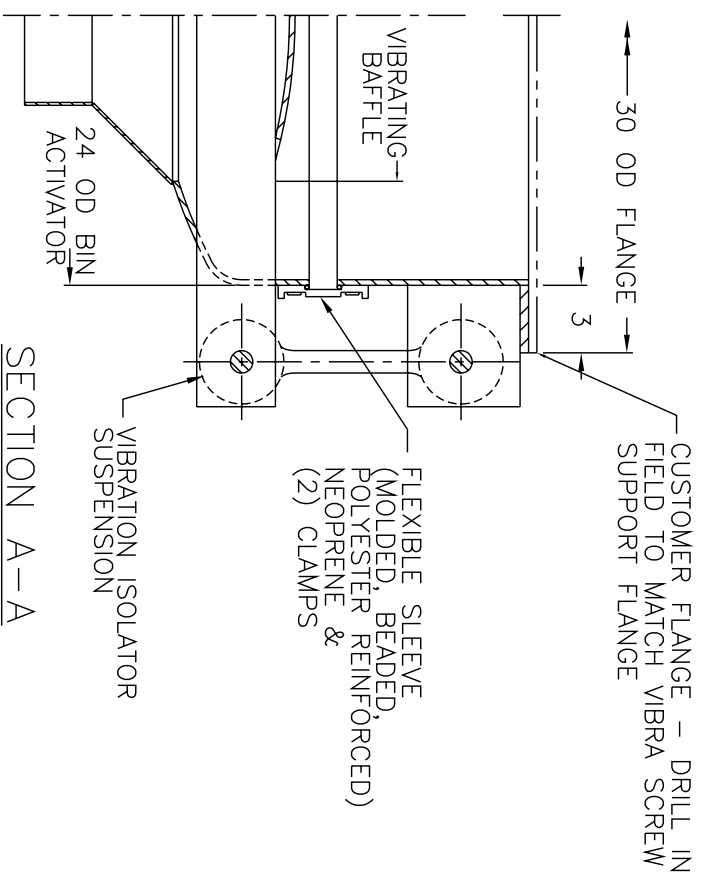
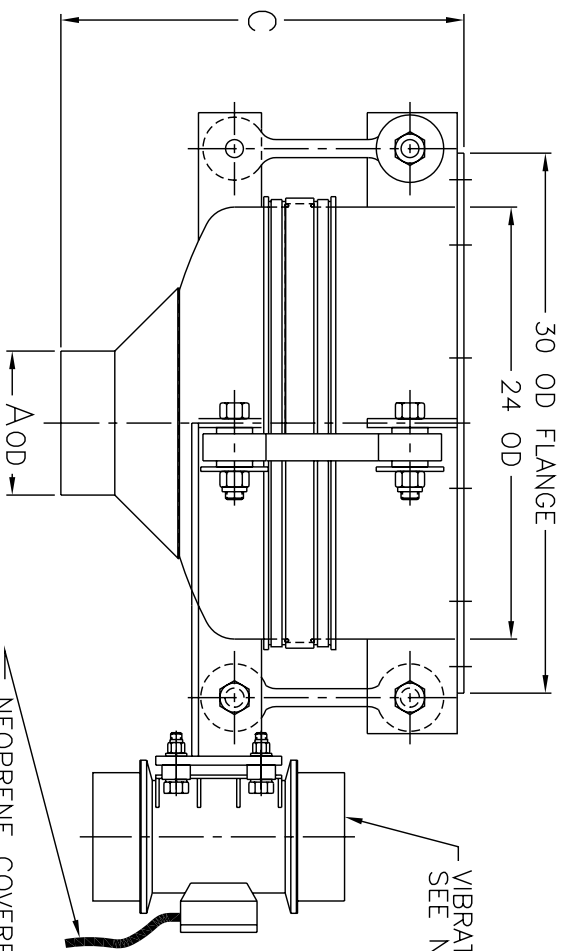


(12) 11/16 DIA HOLES
EQUALLY SPACED ON 28 BC



SECTION A-A



VIBRATOR ASSEMBLY
SEE NOTES 2 & 3

NEOPRENE COVERED CABLE
(SO-14/4) APPROX. 6'-0" LG.

- NOTES -
- 1 - CONTACT MATERIAL - CARBON STEEL, 304 SS, 316 SS
 - 2 - VIBRATOR MOTOR - 0.62 HP, 230-460/3/60, 1800 RPM
 - 3 - ALL ELECTRICAL CONNECTIONS TO BE FLEXIBLE
 - 4 - ALL CONNECTIONS TO BIN ACTIVATOR MUST BE FLEXIBLE

DASH No.	A OD	C
-1	8 OD	22 3/8
-2	10 OD	21 3/8
-3	12 OD	20 3/8

DO NOT SCALE PRINT
UNLESS OTHERWISE SPECIFIED
DIMENSIONS ARE IN INCHES

TOLERANCES:
XX = ±.01
XXX = ±.005
FRACTIONS = 1/32"
ANGULAR = ±1/2"
BREAK SHARP EDGES .005-.040"
ALL SMALL FILED SURFACES 63-125
MICRO INCHES

THE RECIPIENT OF THIS DOCUMENT AGREES NOT TO REPRODUCE, COPY, PUBLISH OR USE THIS DOCUMENT AND/OR THE INFORMATION CONTAINED HEREIN FOR ANY PURPOSE, EXCEPT WITH THE WRITTEN PERMISSION OF Vibra Screw Incorporated.

Vibra Screw Incorporated
755 Union Blvd. Tolono, N.J. 07312-2207

TITLE: 2'-0" DIA. BIN ACTIVATOR
FLAT STOCK CROSS MEMBER DESIGN
AND GREASED VIBRATOR
SCALE: 3/16" = 1"
DWG. NO.: 17955-SD
REV. NO.: 0

REV.	DESCRIPTION	DATE	CHK. BY	DATE	APP. BY	DATE	ELC. APP.	DATE
0	RELEASED FOR REFERENCE ONLY	5/14/01	L.K.					