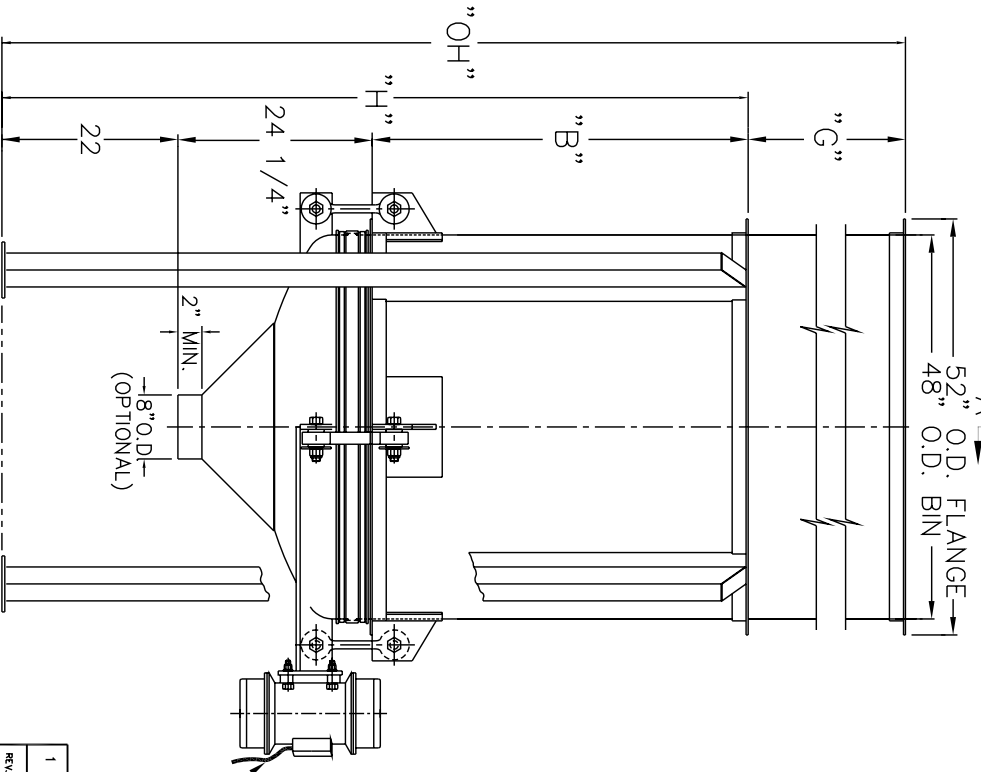
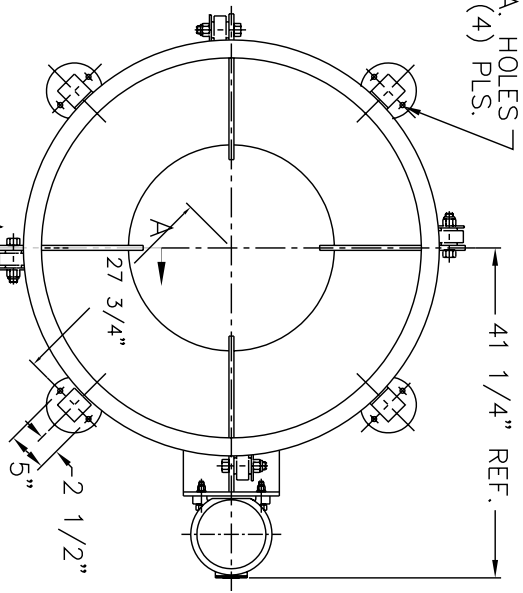
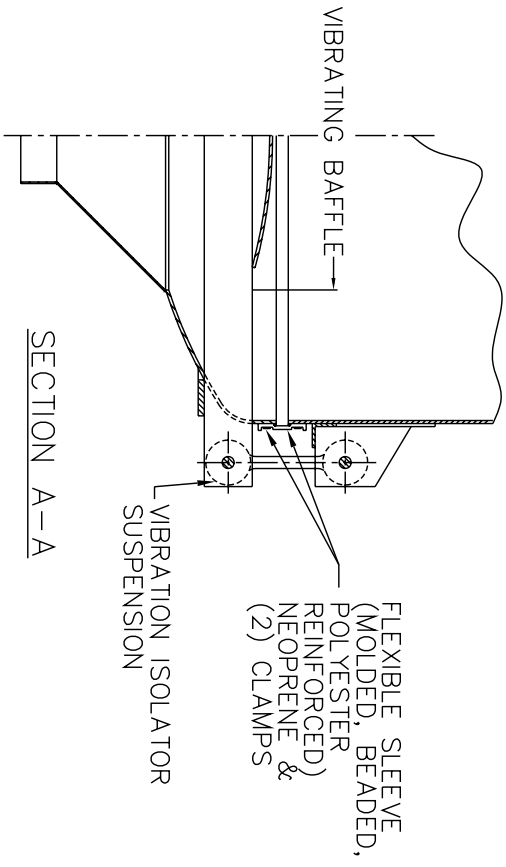


(2) 5/8" DIA. HOLES TYP. (4) PLS.



NEOPRENE COVERED CABLE (SO 14/4) APPROX. 6 FT. LG. SUPPLIED BY V.S.



- NOTES:
- 1 - CONTACT MATERIAL: CARBON STEEL, 304 STAINLESS STEEL OR 316 STAINLESS STEEL
  - 2 - VIBRATOR MOTOR TO BE 1750 RPM, 230 - 460/3/60, 1 1/2 HP.
  - 3 - ALL ELECTRICAL CONNECTIONS TO BE FLEXIBLE.
  - 4 - ALL CONNECTIONS TO BIN ACTIVATOR TO BE FLEXIBLE.

MODEL NO.	CAPACITY CU.FT.	"B"	"H"	"G"	"OH"
LBB 4-50	50	42"	88 1/4"	—	88 1/4"
LBB 4-75	75	47"	93 1/4"	19"	112 1/4"
LBB 4-100	100	47"	93 1/4"	40"	133 1/4"

1	WEBSITE DRAWING	MM	4/28/06						
REV	DESCRIPTION	CHK. BY	DATE	APP. BY	DATE	ELEC. APP.	DATE		

DO NOT SCALE PRINT

UNLESS OTHERWISE SPECIFIED DIMENSIONS ARE IN INCHES

TOLERANCES:  
 .XX = ±.01  
 .XXX = ±.005  
 FRACTIONAL = ±1/32"  
 BREAK SHARP EDGES .005-.015  
 ALL SMALL FILLETS .020-.040R

**Vibra Screw Incorporated**  
 755 Union Blvd. Tolono, N.I. 0915-2207

TITLE 4 - 50 TO 100 LIVE BOTTOM BIN CENTER FLAT STOCK CROSSMEMBER AND GREASED VIBRATOR

SCALE 1=12

CAD FILE NAME LBB /STUSSV/17950D

DRG. NO. 17950D-SD

REV. NO. 1