

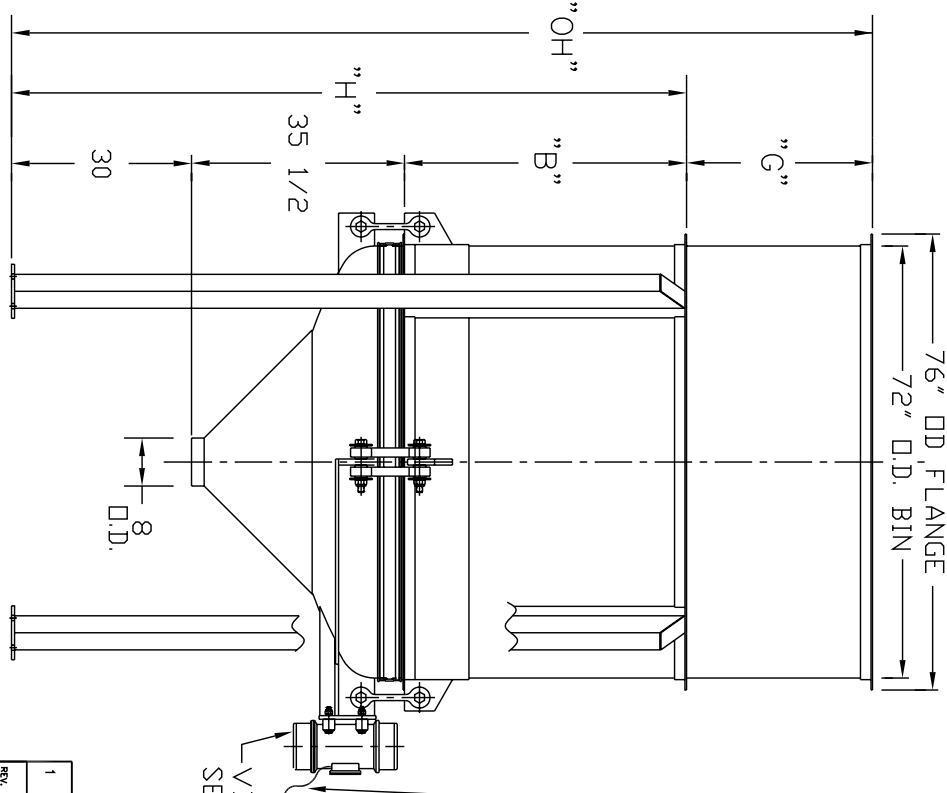
SECTION A-A

MODEL NO.	CAPACITY CU.FT.	"B"	"H"	"G"	"OH"
LBB 6-100	100	37 1/2"	103"	—	—
LBB 6-200	200	47"	112 1/2"	31"	143 1/2"
LBB 6-250	250	47"	112 1/2"	49"	161 1/2"
LBB 6-300	300	47"	112 1/2"	69"	181 1/2"

NEOPRENE COVERED
CABLE (SD 14/4)
APPROX. 6 FT. LG.
BY VIBRA SCREW

- NOTES:
- 1 - CONTACT MATERIAL : C.S., 304 SS OR 316 SS
 - 2 - VIBRATOR MOTOR TO BE 2 1/2 HP, 230- 460 /3/60
 - 3 - ALL ELECTRICAL CONNECTIONS TO BE FLEXIBLE.
 - 4 - ALL CONNECTIONS TO LIVE BOTTOM BIN TO BE FLEXIBLE.

VIBRATOR MOTOR
SEE NOTE 2 & 3



REV.	DESCRIPTION	DATE	CHK. BY	DATE	APP. BY	DATE	ELC. APP.	DATE
1	WEBSITE DRAWING	6/27/01						

DO NOT SCALE PRINT

UNLESS OTHERWISE SPECIFIED
DIMENSIONS ARE IN INCHES

TOLERANCES: .XX = ±.01
 .XXX = ±.005
 .FRACTIONAL = ±1/32"
 ANGULAR = ±1/2"
BREAK SHARP EDGES .005-.015
ALL SMALL FILLETS .020-.040R

Vibra Screw Incorporated
755 Union Blvd. Tolokwa, N.J. 07512-2007

TITLE: 6-200 TO 300 LIVE BOTTOM BIN
CENTER FLAT STOCK CROSSEMEMBER
AND GREASED VIBRATOR

SCALE: .75=12
CADD FILE NAME: LBBVSSV17900C STD. 6, 100, 300

DWG. NO. 17950C-SD

REV. NO. 1

THE RECIPIENT OF THIS DOCUMENT AGREES NOT TO REPRODUCE, TRANSMIT, OR DISSEMINATE IN ANY MANNER THE INFORMATION CONTAINED HEREIN WITHOUT THE WRITTEN PERMISSION OF VIBRA SCREW INCORPORATED.