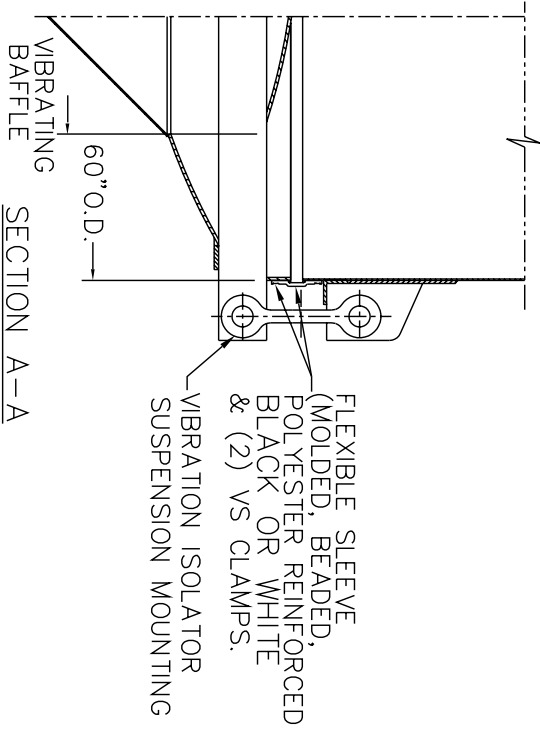
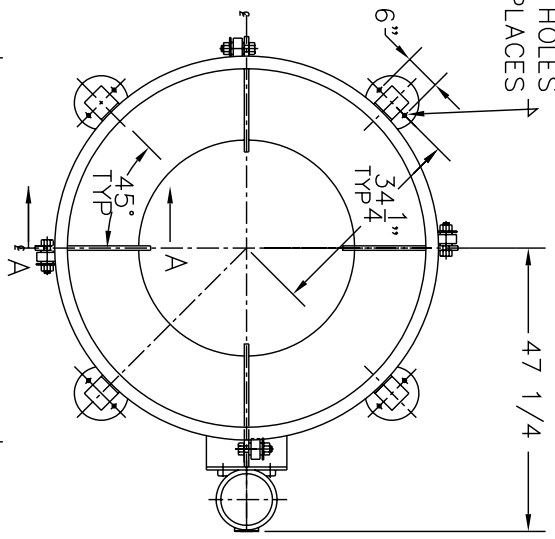


(2) 5/8 DIA. HOLES  
TYP. (4) PLACES



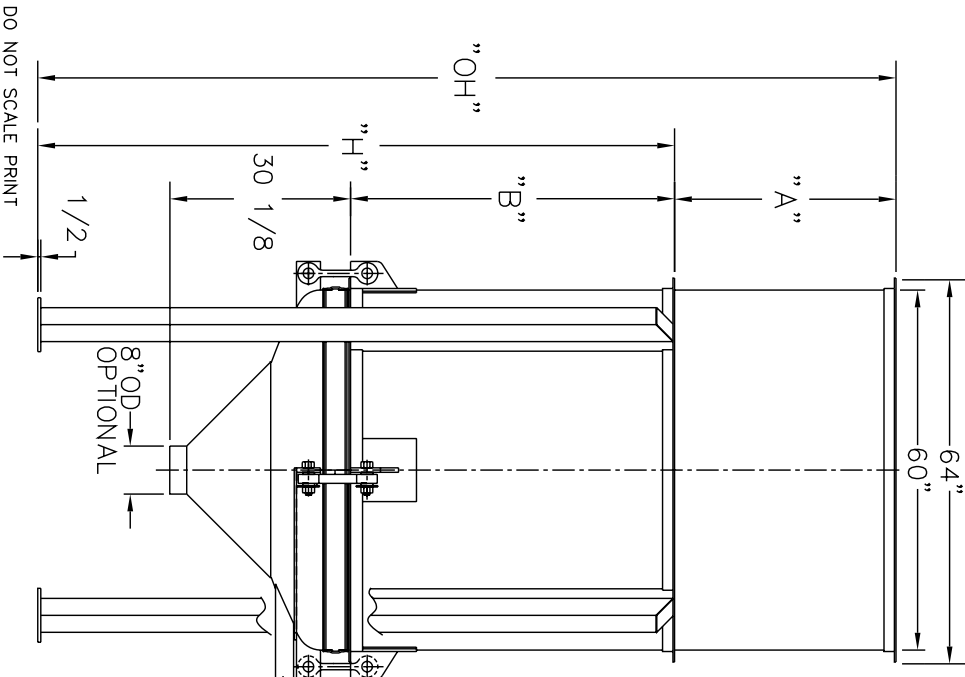
MODEL NO.	CAPACITY CU.FT.	"A"	"B"	"H"	"OH"
LBB 5-100	100	—	54	106 1/8	—
LBB 5-150	150	37	47	99 1/8	136 1/8
LBB 5-200	200	67	47	99 1/8	166 1/8

**NOTES:**

- 1 - CONTACT MATERIAL: CARBON STEEL, 304 STAINLESS STEEL OR 316 STL.STL.
- 2 - VIBRATOR MOTOR TO BE 1 1/2 HP, 1800 RPM
- 3 - ALL ELECTRICAL CONNECTIONS TO BE FLEXIBLE.
- 4 - ALL CONNECTIONS TO BIN ACTIVATOR TO BE FLEXIBLE.

NEOPRENE COVERED CABLE  
(50 14/4) APPROX. 6FT. LONG  
BY : V.S.

VIBRATOR  
SEE NOTES  
2 & 3



DO NOT SCALE PRINT

REV.	DESCRIPTION	DATE	DATE	DATE	DATE	DATE
1	WEBSITE DRAWING	6/26/01				

DO NOT SCALE PRINT  
UNLESS OTHERWISE SPECIFIED  
DIMENSIONS ARE IN INCHES  
TOLERANCES:  
XX = ±.01  
XX = ±.05  
FRACTIONAL = ±1/32"  
BREAK SHARP EDGES .005-.015  
ALL SMALL TILES .020-.040K

**Vibra Screw Incorporated**  
755 Union Blvd. Totowa, N.J. 07095-2007  
Tel: 973-982-1100  
Fax: 973-982-1101  
E-mail: sales@vibra-screw.com

THESE DIMENSIONS ARE FOR INFORMATION ONLY. THE ACTUAL DIMENSIONS OF THE PRODUCT SHALL BE AS SHOWN ON THE DRAWING.  
VIBRA SCREW INCORPORATED

SCALE: 7/8"=1"  
CVD TEL. NAME: LBB/VSS/V1999, SIDA, 5, 100, 200, 316/STL  
DIN. NO. 17950-SD  
REV. NO. 1