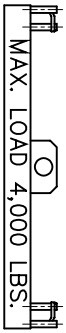
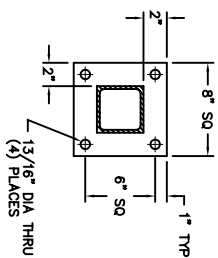
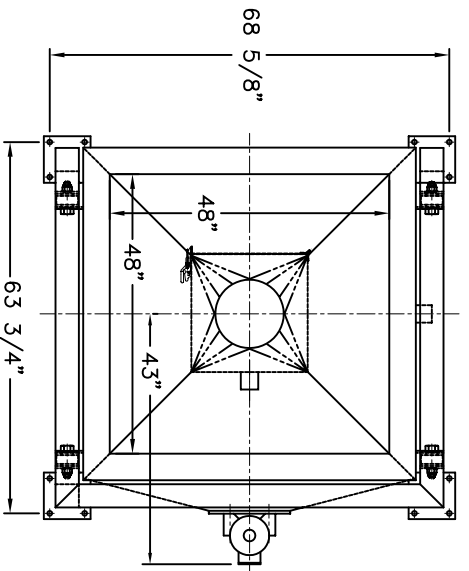


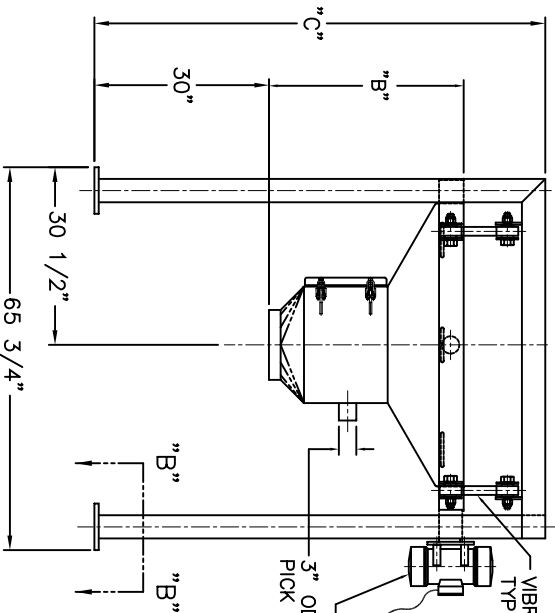
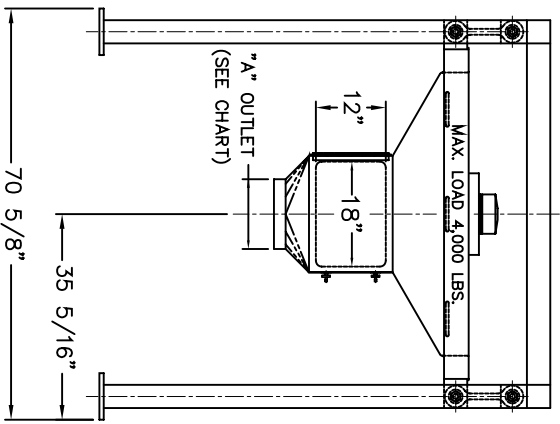
"A" DIM.	"B" DIM.	"C" DIM.
8" O.D.	35 7/16"	79 7/16"
10" O.D.	34 7/16"	78 7/16"
12" O.D.	33 7/16"	77 7/16"
14" O.D.	32 7/16"	76 7/16"



BAG LIFTING ADAPTER
(OPTIONAL)



SECTION : B-B
(4) PLACES
SCALE: 2 = 1



THE RECIPIENT OF THIS DOCUMENT AGREES NOT TO REPRODUCE, COPY, TRANSMIT OR USE THIS DOCUMENT AND/OR THE INFORMATION CONTAINED IN THIS DOCUMENT IN WHOLE OR IN PART, FOR ANY PURPOSE, EXCEPT WITH THE WRITTEN PERMISSION OF VIBRA SCREW INCORPORATED.

Vibra Screw Incorporated
755 Union Blvd. Totowa, N.J. 07512-2207

TITLE
BULK BAG UNLOADER
MODEL I - V - HD

DWN. / DATE: FP 07/01/99	DWG. NO. 17821-SD
CAD FILE NAME BBU\NEMDSGN\SALES\17821-SD	REV 1

- 1 - CONTACT MATERIAL : RECEIVER - CARBON STEEL, 304 SS OR 316 SS.
- 2 - SUPPORT FRAME - CARBON STEEL CONSTRUCTION.
- 3 - VIBRATOR MOTOR TO BE TENNY, 230 OR 460/3/60.
- 4 - ALL ELECTRICAL CONNECTIONS MUST BE FLEXIBLE.
- 5 - ALL CONNECTIONS TO BAG UNLOADER MUST BE FLEXIBLE.
- 6 - BAG TO BE LIFTED & SUPPORTED BY CUSTOMER.
- 7 - UNLOADER MUST BE PROPERLY SECURED IN PLACE BEFORE USE.