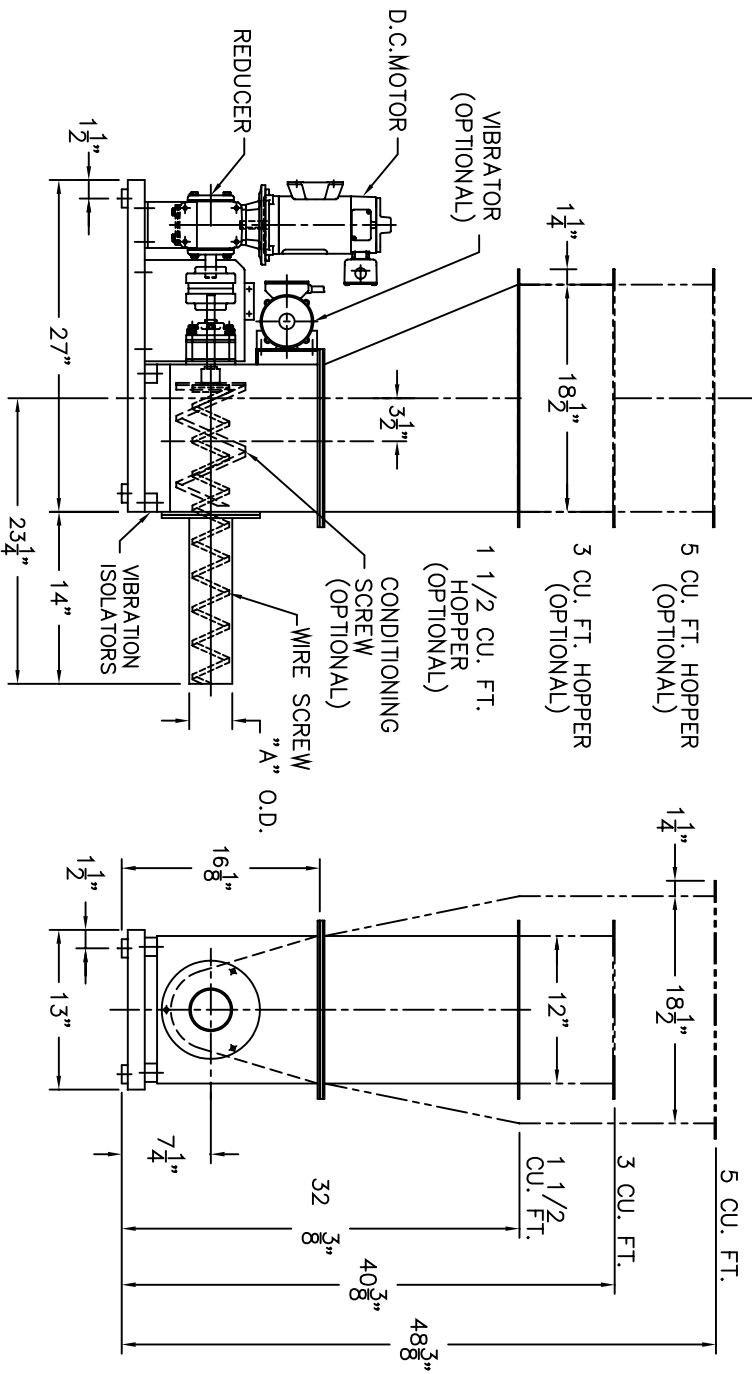
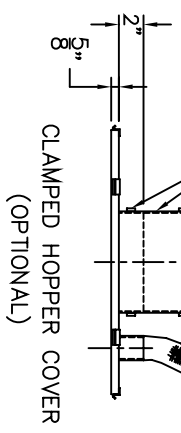


FLEX SLEEVE x 6" LG. & (2) CLAMPS BY V.S. (OPTIONAL)
 VENT SOCK



SCREW SIZE	DIM "A"	DIM "B"	DIM "C"	DIM "D"	DIM "E"
3"	3 1/2"	15 3/4"	3 1/2"	3 3/4"	4 1/2"
4"	4 1/2"	16 1/4"	4"	4 3/4"	5"

SCREW SIZE	VOLUMETRIC RATE CAPACITY
3"	CU. FT./HR. 7.4 TO 74 CU. M./HR. 0.2 TO 2
4"	CU. FT./HR. 20 TO 200 CU. M./HR. 0.6 TO 6

CONTACT MATERIAL: 304 STAINLESS STEEL, CARBON STEEL OR 316 STAINLESS STEEL.

THE RECIPIENT OF THIS DOCUMENT AGREES NOT TO REPRODUCE, COPY, TRANSMIT OR USE THIS DOCUMENT AND/OR THE INFORMATION CONTAINED IN THIS DOCUMENT IN WHOLE OR IN PART, FOR ANY PURPOSE, EXCEPT WITH THE WRITTEN PERMISSION OF VIBRA SCREW INCORPORATED.

THIS DRAWING TO BE USED FOR REFERENCE ONLY

Vibra Screw Incorporated

755 UNION BLVD. TOTOWA, N.J. 07512

TITLE: STANDARD 3" & 4" VERSIFEEDER

DMW/DATE: U.S. 5/08/2001	DWG. NO. 16733A	REV. NO. 1
CAD FILE: H:\VEED\SCRM\IN\STDISSY16733A		

