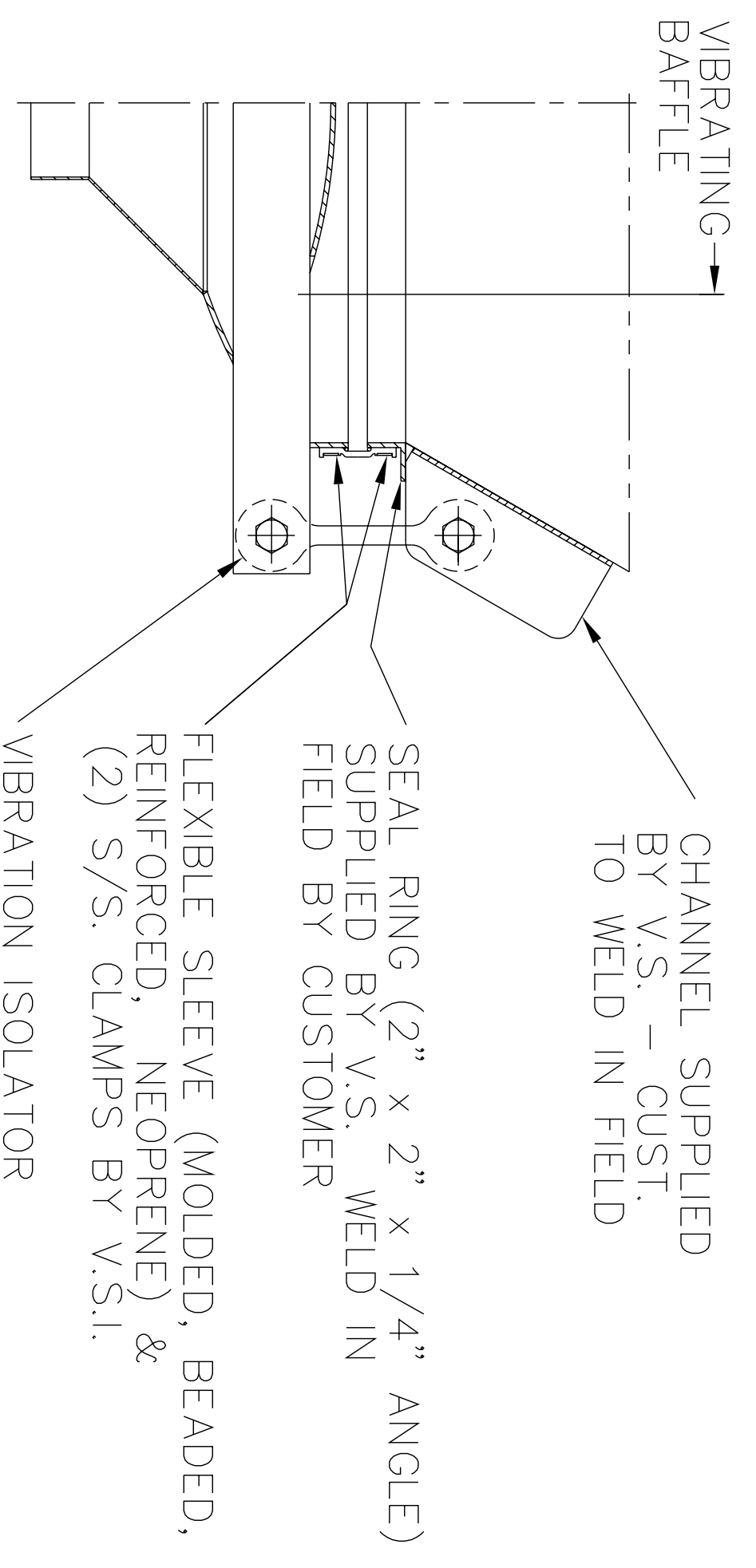


VIBRATOR ASSEMBLY  
SEE NOTES 2 & 3

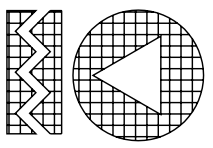


SECTION A-A

"A" O.D.	"C"
8" O.D.	19 1/2"
10" O.D.	18 1/2"
12" O.D.	17 1/2"

THE RECIPIENT OF THIS DOCUMENT AGREES NOT TO REPRODUCE, COPY, TRANSMIT OR USE THIS DOCUMENT AND/OR THE INFORMATION CONTAINED IN THIS DOCUMENT IN WHOLE OR IN PART, FOR ANY PURPOSE, EXCEPT WITH THE WRITTEN PERMISSION OF VIBRA SCREW INCORPORATED.

- NOTES:
- 1 - CONTACT MATERIAL: CARBON STEEL, 304 S/S, 316 S/S.
  - 2 - VIBRATOR DRIVE TO BE: T.E.N.V., 1750 RPM, 230-460/3/60.
  - 3 - ALL ELECTRICAL CONNECTIONS TO BE FLEXIBLE
  - 4 - ALL CONNECTIONS TO BIN ACTIVATOR MUST BE FLEXIBLE



**Vibra Screw Incorporated**  
755 Union Blvd. Totowa, N.J. 07512-2207

TITLE  
3'-0" DIA. BIN ACTIVATOR  
WITH GREASED VIBRATOR

DWN. / DATE: MJM 1/22/06	DWG. NO. 16708-SD	REV. NO. 1
CAD FILE NAME N:\BA\STDASSY\16708-SD		