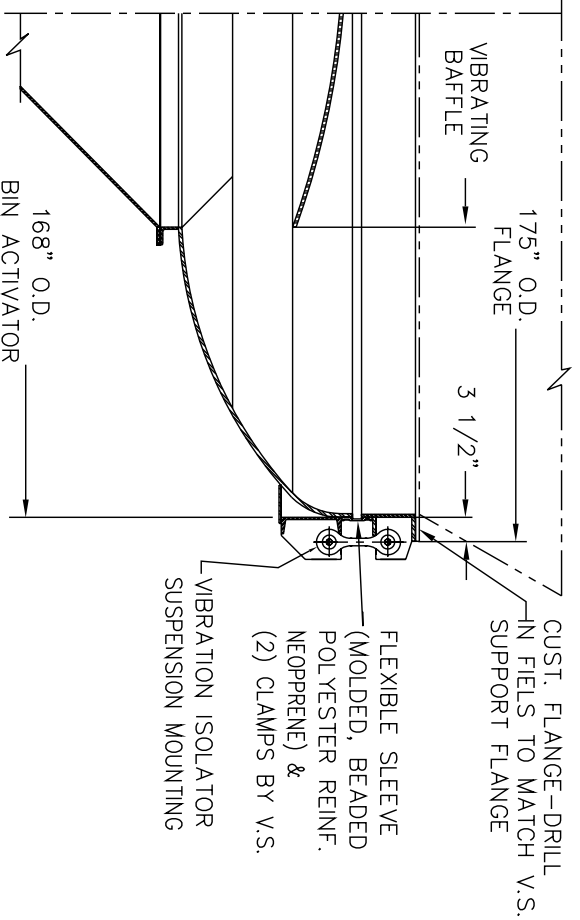
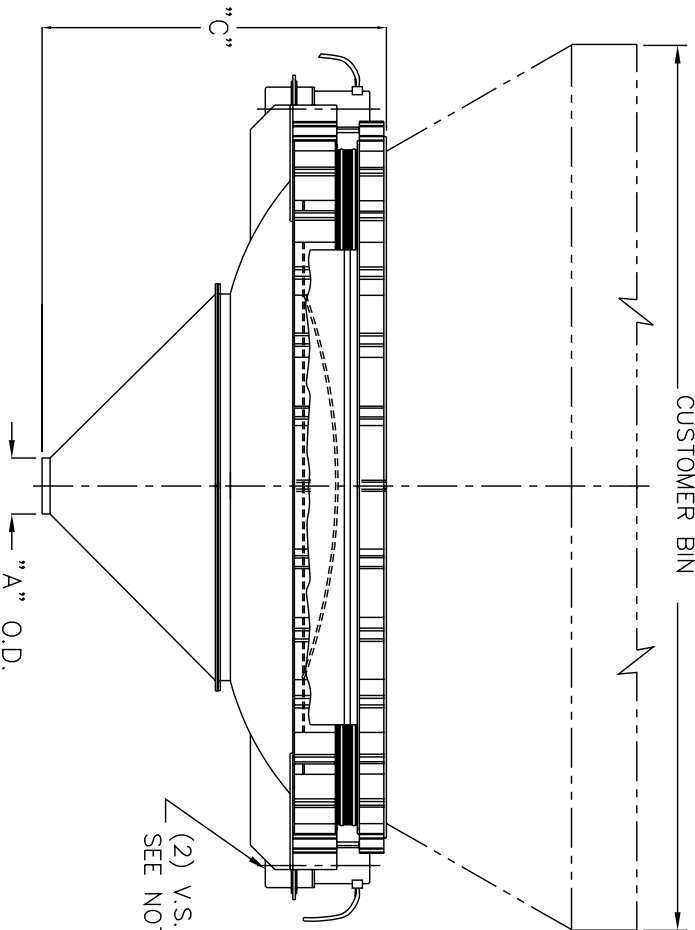


(72) 1-1/8" DIA. HOLES EQ. SPACED ON A 171" DIA. B.C.



SECTION A-A

CUSTOMER BIN



(2) V.S. 9K GYR. SEE NOTES 2 & 3

- NOTES:
- 1 - CONTACT MATERIAL: CARBON STEEL, 304 SS, 316 SS
  - 2 - GYRATOR MOTOR TO BE 5HP, 1750 RPM, T.E.N.V., -OR- EXPL. P.F., 230 OR 460/3/60.
  - 3 - ALL ELECTRICAL CONNECTIONS TO BE FLEXIBLE.
  - 4 - ALL CONNECTIONS TO BIN ACTIVATOR TO BE FLEXIBLE.

"A"	"C"
12"	86-1/2"
14"	85-1/2"
16"	84-1/2"
18"	83-1/2"

THE RECIPIENT OF THIS DOCUMENT AGREES NOT TO REPRODUCE, COPY, TRANSMIT OR USE THIS DOCUMENT AND/OR THE INFORMATION CONTAINED IN THIS DOCUMENT IN WHOLE OR IN PART, FOR ANY PURPOSE, EXCEPT WITH THE WRITTEN PERMISSION OF VIBRA SCREEN INCORPORATED.

**Vibra Screw Incorporated**

755 UNION BLVD.

TOTOWA, N.J. 07512

TITLE 14'-0" DIA. BIN ACTIVATOR WITH PREASSEMBLED MOUNTING RING AND OIL LUBRICATED GYRATOR

DMW/DATE 1.S. 4/07/2001  
 CODE FILE NAME N:\BA\STD\SS\16204-SD  
 CHK. BY  
 APP. BY  
 DWG. NO. 16204-SD