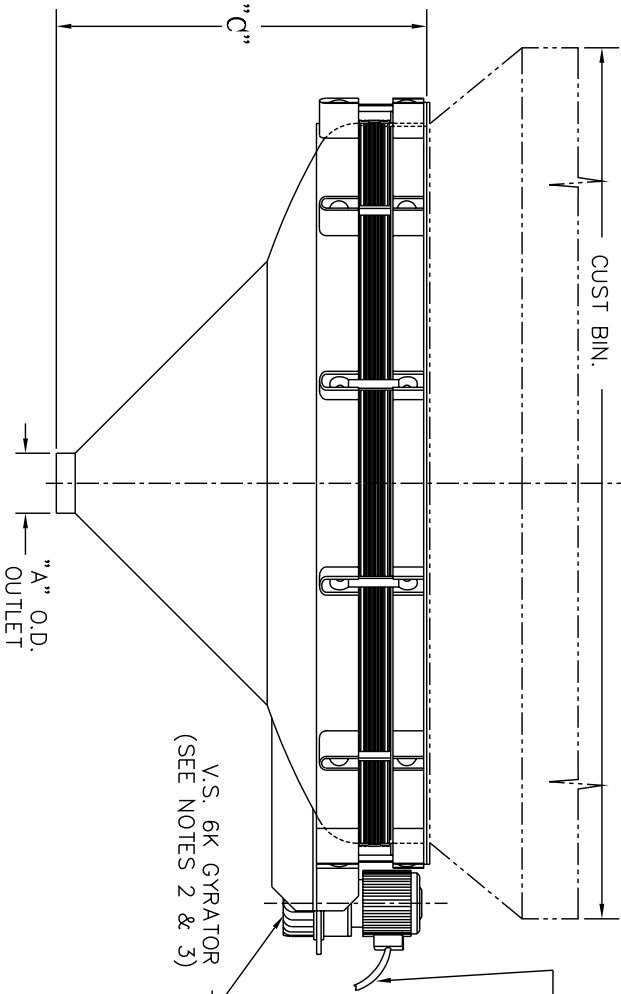
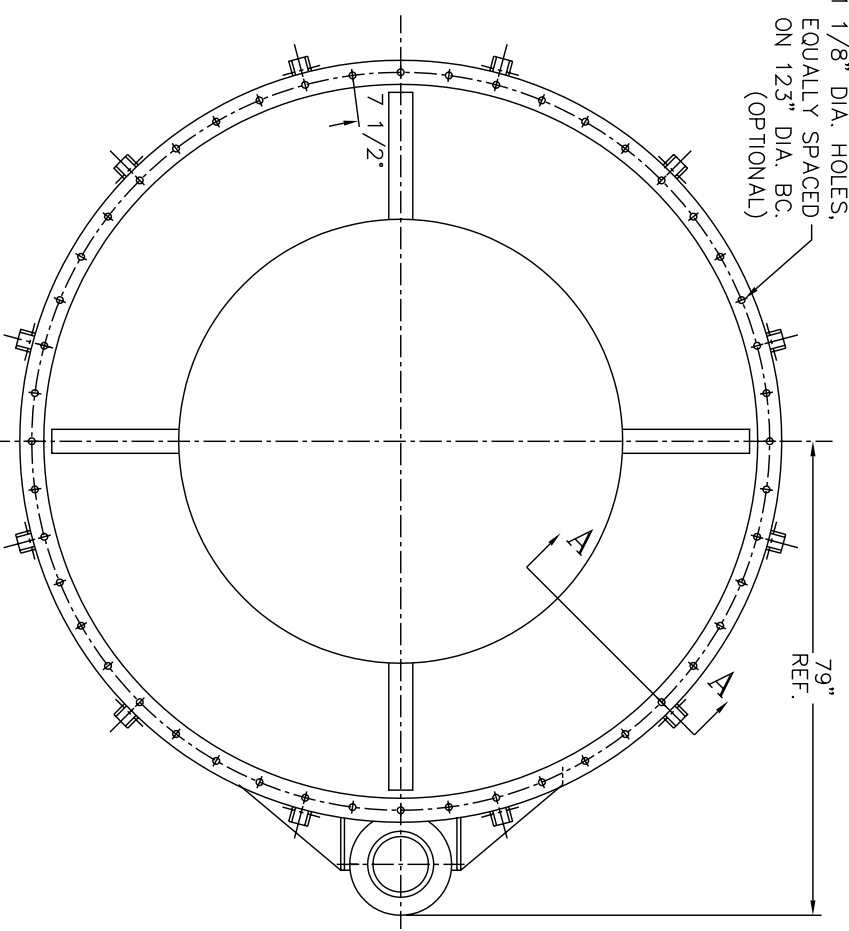
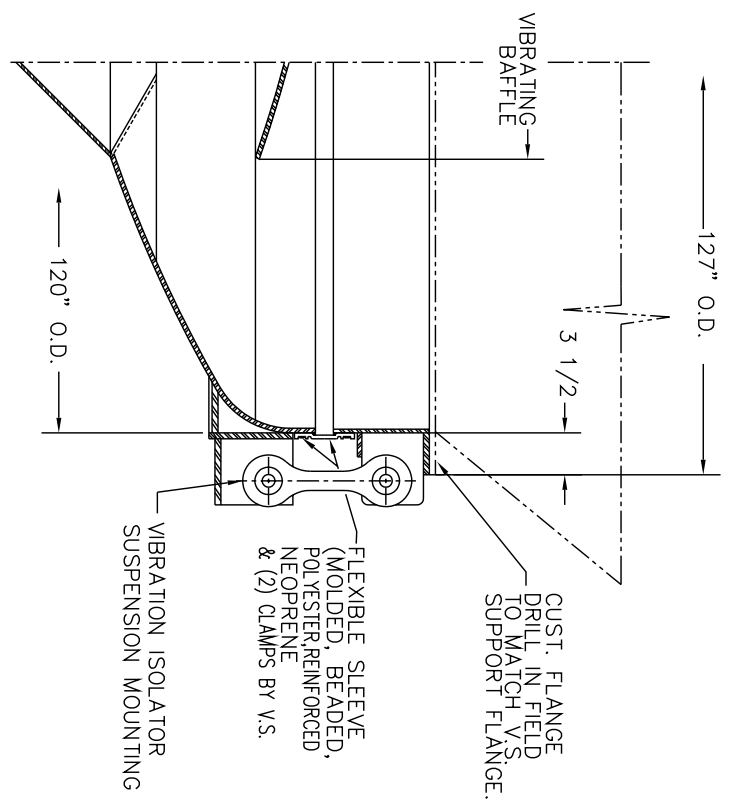


(48) 1 1/8" DIA. HOLES,  
EQUALLY SPACED  
ON 125" DIA. BC.  
(OPTIONAL)



NEOPRENE COVERED CABLE  
(SO 14/4) APPROX. 6FT. LG.  
BY V.S.

V.S. 6K GYRATOR  
(SEE NOTES 2 & 3)



SECTION A - A

- NOTES:
- 1 - CONTACT MATERIAL: CARBON STEEL, 304 STAINLESS STEEL OR 316 STAINLESS STEEL.
  - 2 - GYRATOR MOTOR TO BE 3HP, 1750 RPM, T.E.N.V., OR EXPL. PF., 230 OR 460/3/60.
  - 3 - ALL ELECTRICAL CONNECTIONS TO BE FLEXIBLE.
  - 4 - ALL CONNECTIONS TO BIN ACTIVATOR TO BE FLEXIBLE.

THE RECIPIENT OF THIS DOCUMENT AGREES NOT TO REPRODUCE, COPY, TRANSMIT OR USE THIS DOCUMENT AND/OR THE INFORMATION CONTAINED IN THIS DOCUMENT IN WHOLE OR IN PART FOR ANY PURPOSE, EXCEPT WITH THE WRITTEN PERMISSION OF VIBRA SCREW INCORPORATED.

"A" OUTLET SIZE	"C" OVERALL HEIGHT
10"	61 3/4"
12"	60 3/4"
14"	59 3/4"
16"	58 3/4"

**Vibra Screw Incorporated**  
755 UNION BLVD.  
TOTOWA, N.J. 07512

TITLE  
10'-0" DIA. BIN ACTIVATOR  
WITH PREASSEMBLED MOUNTING RING  
AND OIL LUBRICATED GYRATOR

DMG/DATE I.S. 4/25/2001	CHK. BY	DMG. NO.
CAD FILE NAME N:\BA\SD\SSV\15599-SD	APP. BY	15599-SD